

DRAWING MADE IN THIRD ANGLE PROJECTION

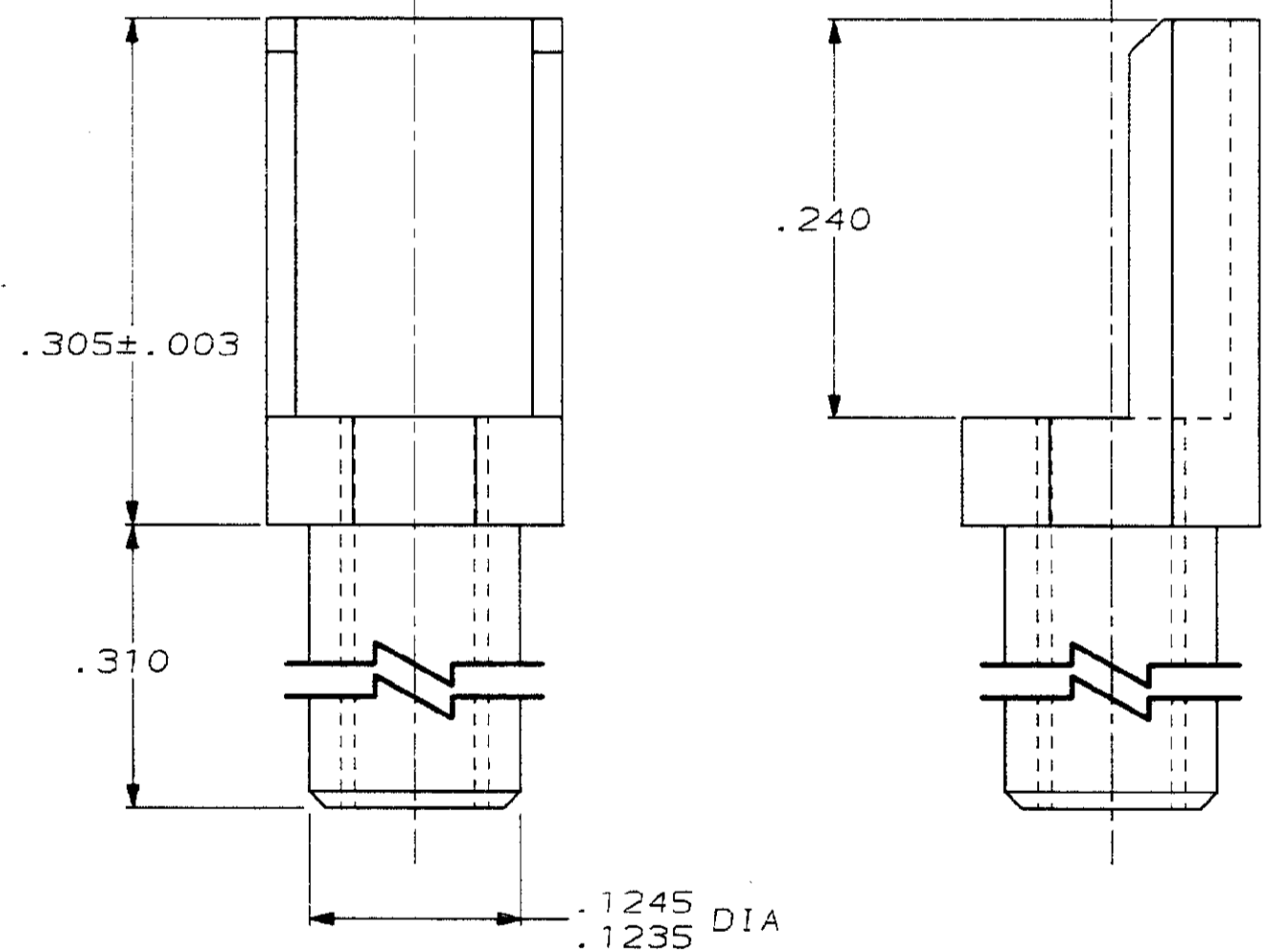
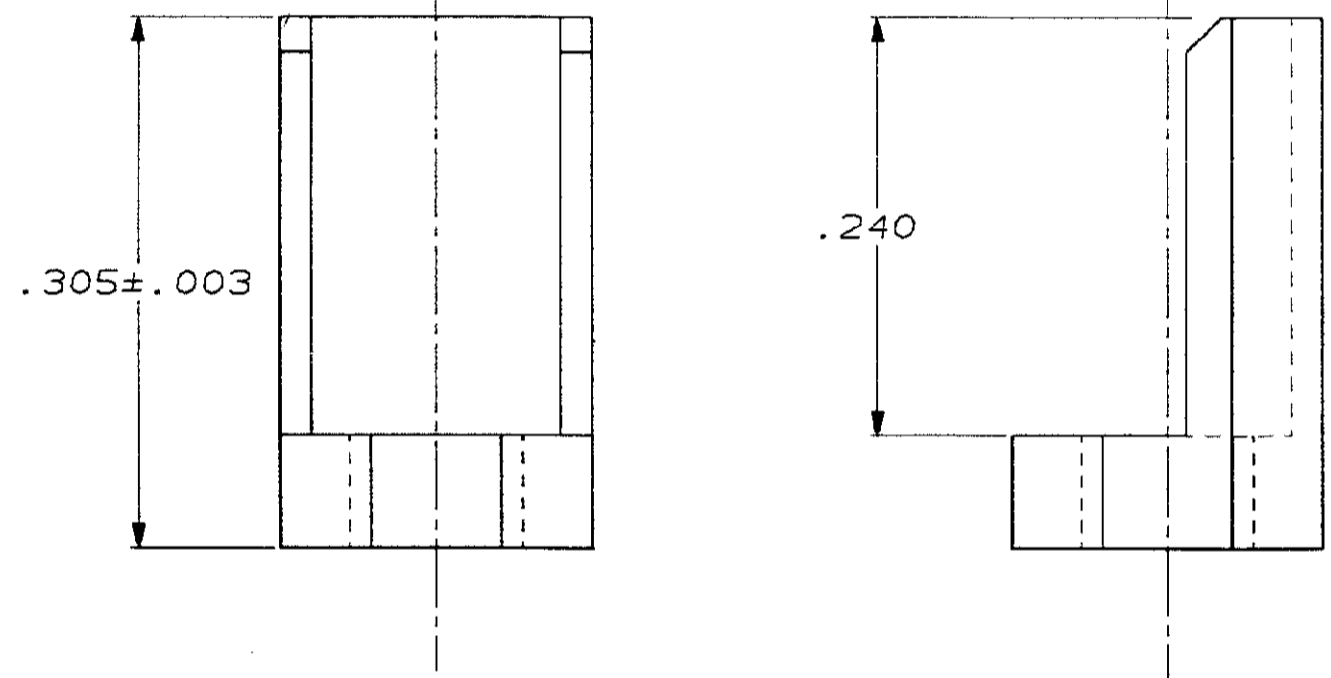
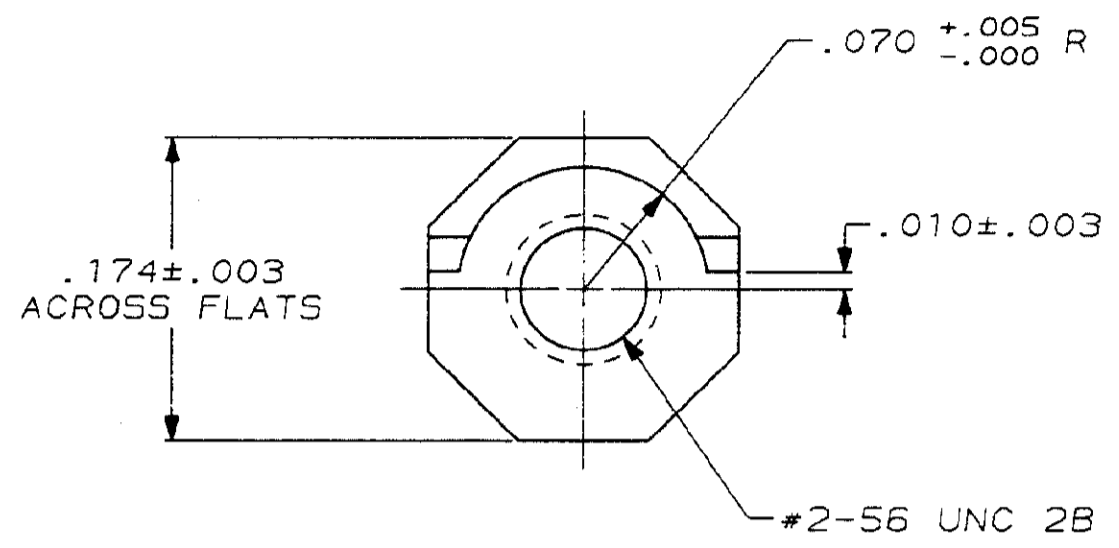
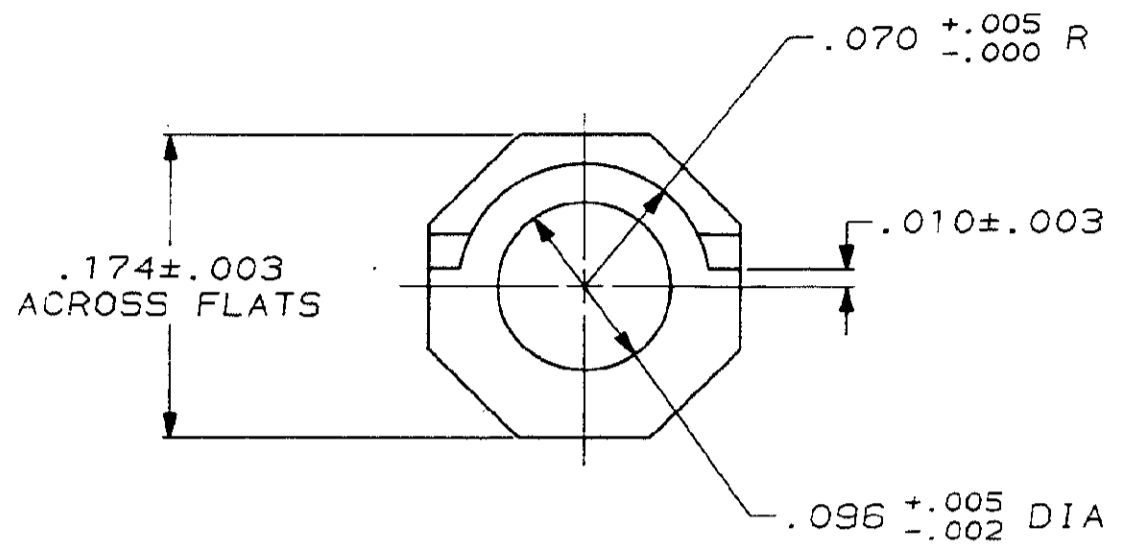
3

2

LOC DIST
AB 4

THIS DRAWING IS UNPUBLISHED. RELEASED FOR PUBLICATION
 © COPYRIGHT 19 BY AMP INCORPORATED, HARRISBURG, PA. ALL INTERNATIONAL RIGHTS RESERVED. AMP PRODUCTS MAY BE COVERED BY U.S. AND FOREIGN PATENTS AND/OR PATENTS PENDING.

REVISIONS						
P	F	ZONE	LTR	DESCRIPTION	DATE	APPROVED
✓	✓		0	WAS 86-5489-020	10/06/86	KEW



534763-1 AS SHOWN
TYPE 1

534763-3 AS SHOWN
TYPE 2

PROTOTYPE STATUS
PACOM DEVELOPMENT ENGINEERING

UNLESS OTHERWISE SPECIFIED DIMENSIONS ARE IN INCHES. TOLERANCES ON: DECIMALS ±.005 ANGLES ±	CONTRACT NO	AMP AMP INCORPORATED Harrisburg, Pa.	
	DR <i>QBH</i>	NAME	
	CHK <i>DJM</i> 10-9-86	HDI SERIES 25, EXTERNAL KEY	
	APPD <i>DJM</i> 10-9-86	SIZE C	FSCM NO 00779
MATERIAL STAINLESS STEEL PER QQ-5-763 CLASS 303	DSGN APPD	SCALE 10:1	SHEET 1 of 1
FINISH PASSIVATED PER QQ-P-35	OTHER APPD	CUSTOMER DRAWING	